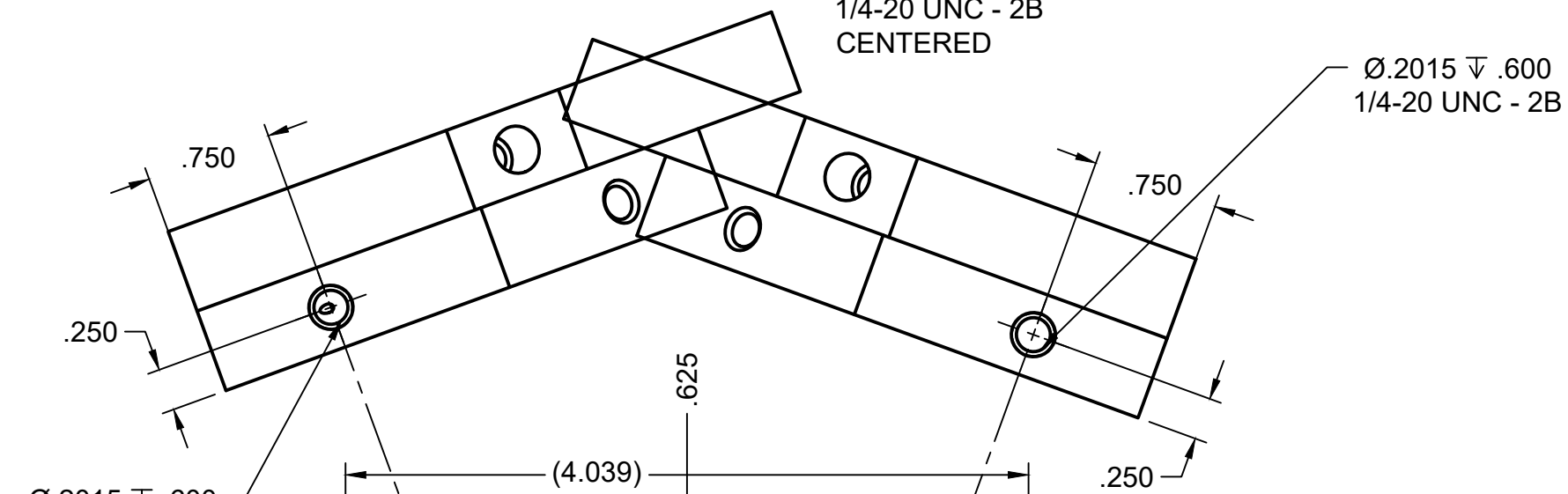
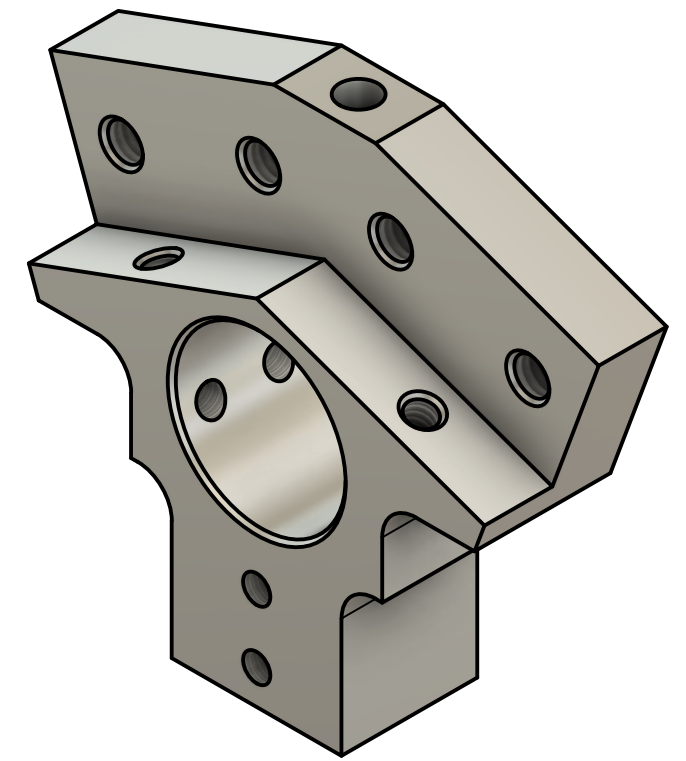
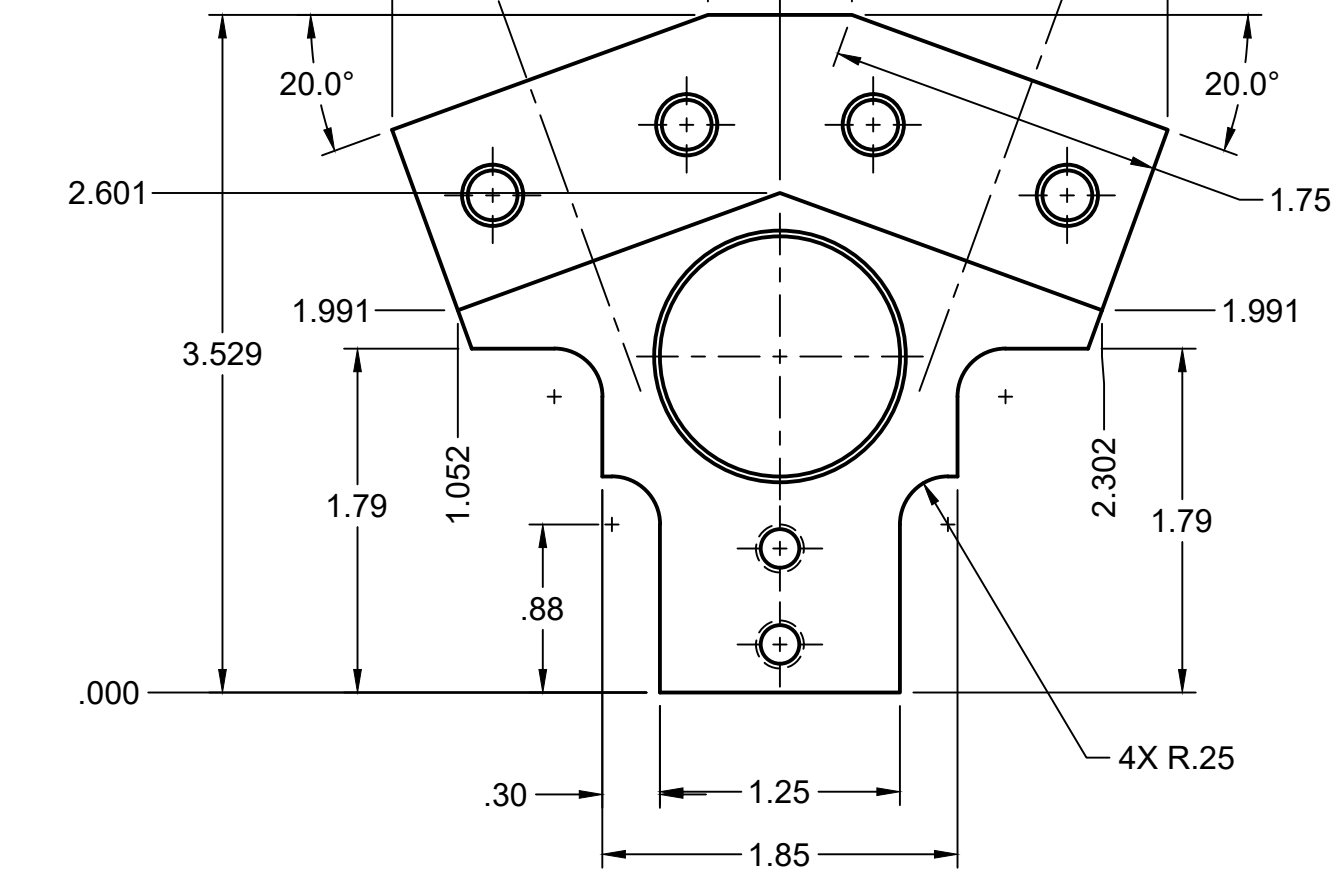




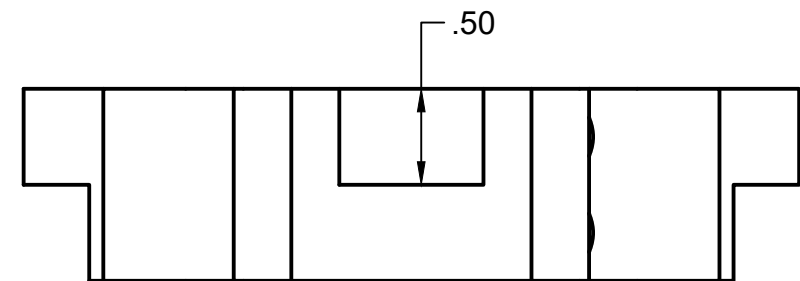
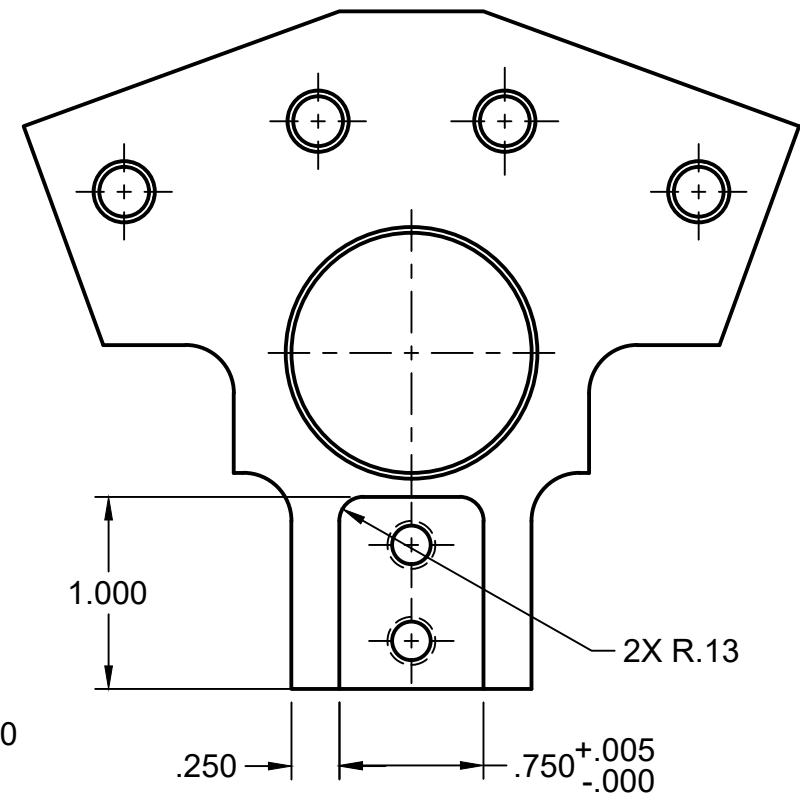
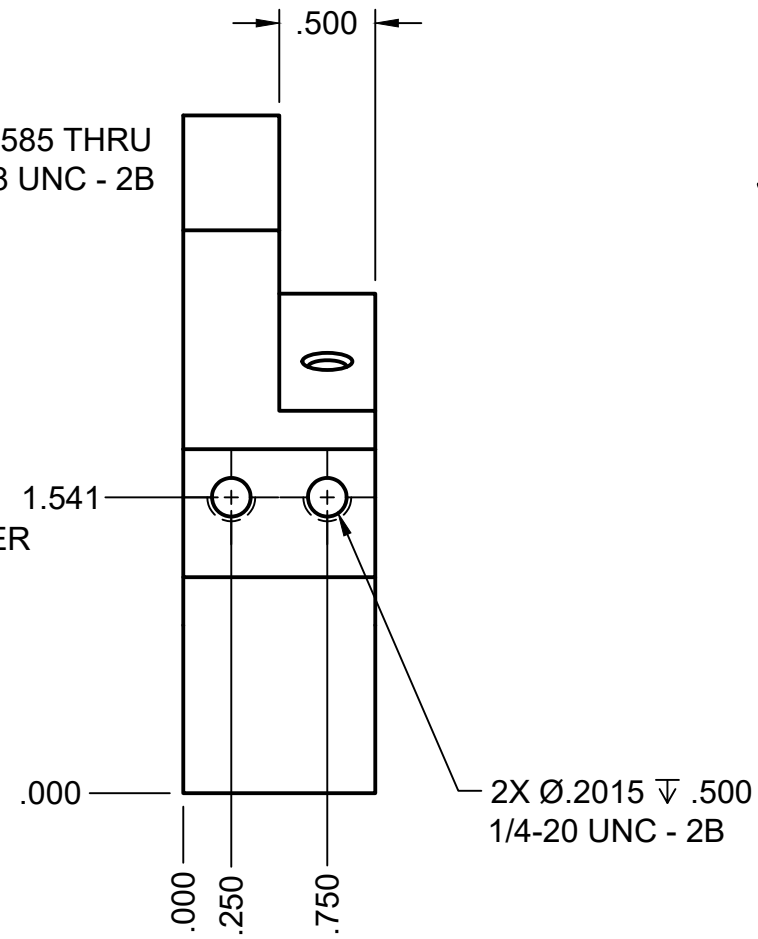
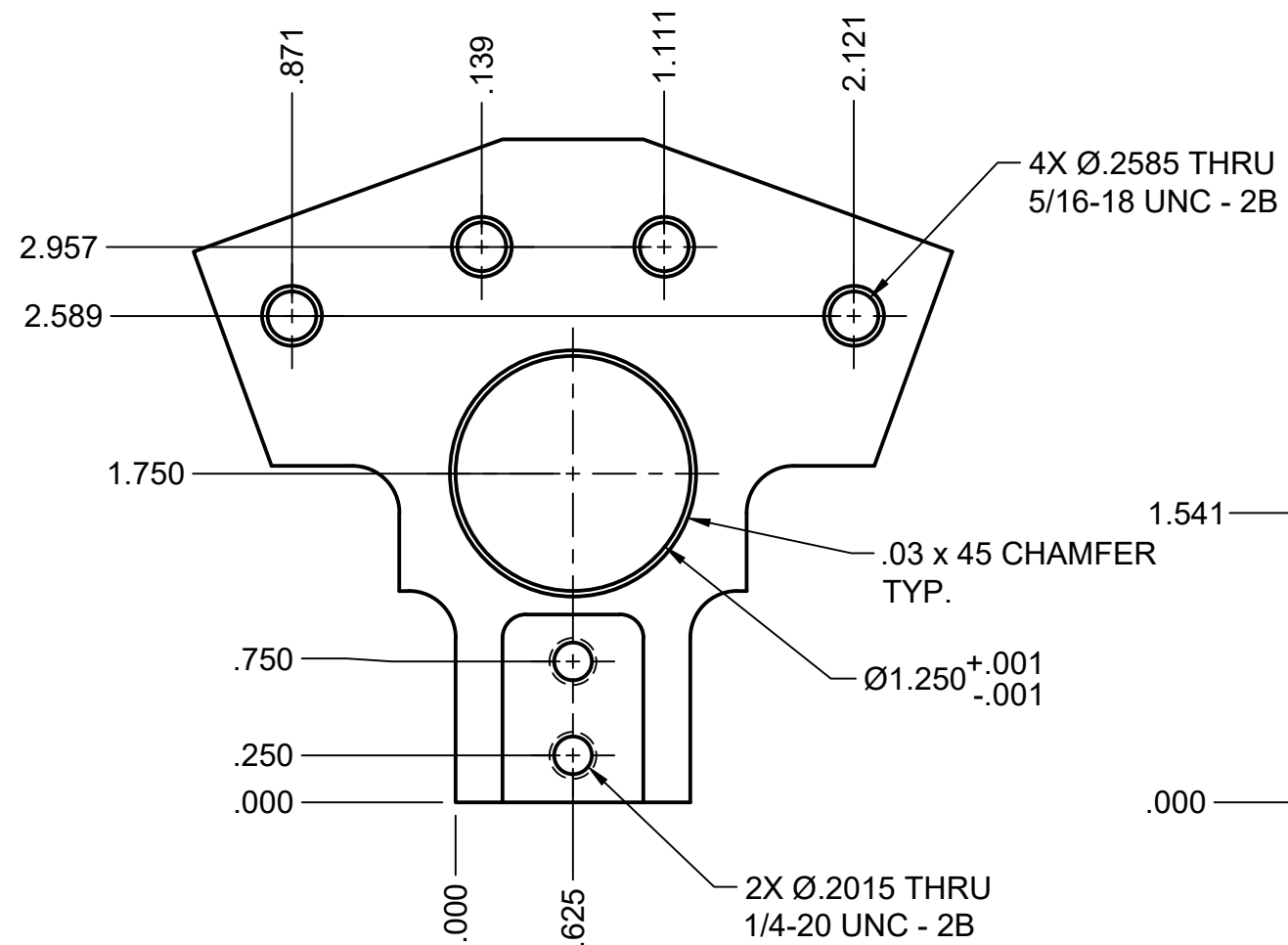
Ø.2015 THRU TO BORE
1/4-20 UNC - 2B
CENTERED





Ø.2015 THRU TO BORE
1/4-20 UNC - 2B



TOLERANCES UNLESS SPECIFIED: X.X: ±0.050 X.XX: ±0.020 X.XXX: ±0.005 X.XXXX: ±0.0005 FRACTIONAL: ±1/16 ANGLE: ±1°	 PROJECT Rovers		TITLE <h1>Rocker Mount</h1>		
		APPROVED CHECKED	SIZE B	MATERIAL Aluminum 6061	PART NUMBER A02b-S03-C02
DRAWN Cullen Straub 4/3/2025	SCALE 1:1	WEIGHT 197.2 g	SHEET 1/2		



TOLERANCES UNLESS SPECIFIED: X.X: ±0.050 X.XX: ±0.020 X.XXX: ±0.005 X.XXXX: ±0.0005 FRACTIONAL: ±1/16 ANGLE: ±1°		PROJECT Rovers		
		TITLE Rocker Mount		
APPROVED CHECKED	SIZE B	MATERIAL Aluminum 6061	PART NUMBER A02b-S03-C02	REV 4/6/2025
DRAWN Cullen Straub 4/3/2025	SCALE 1:2	WEIGHT 197.2 g	SHEET 2/2	